

AHU EEV CONNECTION KIT

5 MODELS

3.60~56.00 kW

HIGH EFFICIENCY

fewer start & stop cycles of the outdoor unit thanks to VRF technology

ENERGY SAVINGS

using DC Inverter technology

CLEAN CONTACT

CONTROL

wired control included

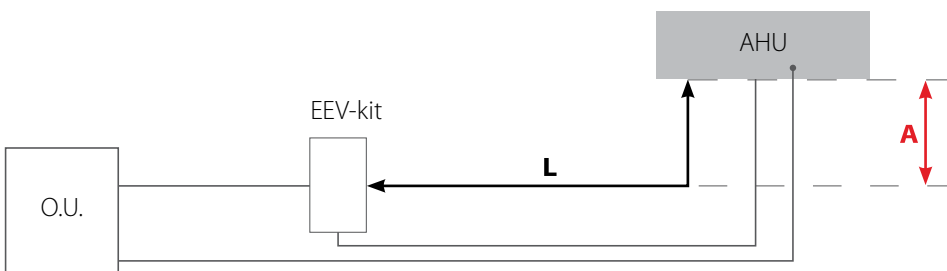
M-V-AHU-362~5602-G



Model	M-V-AHU-362-G				M-V-AHU-712-G			M-V-AHU-1402-G				
Control (included)	Wired control				Wired control			Wired control				
Rated capacity	Cooling	kW	3.60		7.10			14.00				
	Heating	kW	4.00		8.00			16.00				
Settable capacity	Cooling	kW	2.80	3.60	4.50	5.60	7.10	9.00	11.20	14.00		
	Heating	kW	3.20	4.00	5.00	6.30	8.00	10.00	12.50	16.00		
Electrical data												
Power supply	Ph-V-Hz	1-220~240V-50Hz				1-220~240V-50Hz			1-220~240V-50Hz			
Power absorption	W	8				8			8			
Product specifications												
EEV kit dimensions	WxHxD	mm	203x85x326				203x85x326			203x85x326		
Control box dimensions	WxHxD	mm	334x111x284				334x111x284			334x111x284		
Net weight		Kg	10				10.5			10.5		
Connection diameter	Liquid from O.U. to kit	mm (inch)	6.35 (1/4")	6.35 (1/4")	9.52 (3/8")	9.52 (3/8")	9.52 (3/8")	9.52 (3/8")	9.52 (3/8")	9.52 (3/8")	9.52 (3/8")	
	Liquid from kit to AHU	mm (inch)	6.35 (1/4")	6.35 (1/4")	6.35 (1/4")	9.52 (3/8")	9.52 (3/8")	9.52 (3/8")	9.52 (3/8")	9.52 (3/8")	9.52 (3/8")	
	Gas from O.U. to AHU	mm (inch)	9.52 (3/8")	12.7 (1/2")	12.7 (1/2")	15.9 (5/8")	15.9 (5/8")	15.9 (5/8")	15.9 (5/8")	15.9 (5/8")	15.9 (5/8")	
Optional parts												
Centralized control	M-V-CC-T255-G2 / M-V-CC-T32-G (simplified)											

Model	M-V-AHU-2802-G						M-V-AHU-5602-G				
Control (included)	Wired control						Wired control				
Rated capacity	Cooling	kW	28.00						56.00		
	Heating	kW	31.50						63.00		
Settable capacity	Cooling	kW	22.40	28.00	33.50	40.00	45.00	50.40	56.00	84.00	
	Heating	kW	25.00	31.50	37.50	45.00	50.00	56.50	63.00	94.50	
Electrical data											
Power supply	Ph-V-Hz	1-220~240V-50Hz						1-220~240V-50Hz			
Power absorption	W	8						8			
Product specifications											
EEV kit dimensions	WxHxD	mm	203x85x326						246x120x500		
Control box dimensions	WxHxD	mm	334x111x284						334x111x284		
Net weight		Kg	10.5						13		
Connection diameter	Liquid from O.U. to kit	mm (inch)	9.52 (3/8")	9.52 (3/8")	9.52 (3/8")	9.52 (3/8")	9.52 (3/8")	15.9 (5/8")	15.9 (5/8")	15.9 (5/8")	
	Liquid from kit to AHU	mm (inch)	9.52 (3/8")	9.52 (3/8")	12.7 (1/2")	12.7 (1/2")	12.7 (1/2")	15.9 (5/8")	15.9 (5/8")	19.05 (3/4")	
	Gas from O.U. to AHU	mm (inch)	19.05 (3/4")	22.2 (7/8")	25.4 (1")	25.4 (1")	28.6 (9/8")	28.6 (9/8")	28.6 (9/8")	31.8 (1-1/4")	
Optional parts											
Centralized control	M-V-CC-T255-G2 / M-V-CC-T32-G (simplified)										

L'EEV-KIT allows, through an electronic expansion valve regulated by an electronic control system (Control Box), the connection of an AHU to the outdoor unit of a VRF system. In this way, you can take advantage of the benefits of VRF technology.

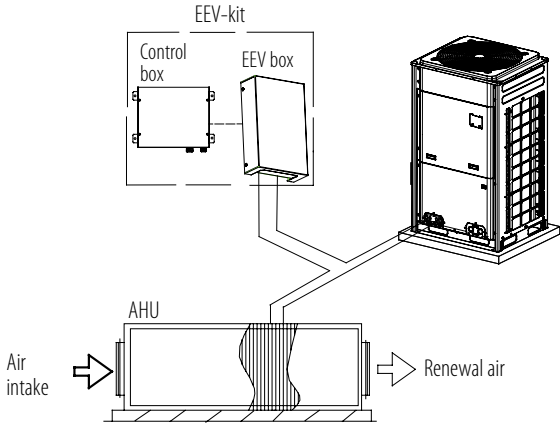


The EEV-kit must be installed in a vertical position 90 ± 15°

- A** The maximum height difference between EEV-kit and AHU is 2 metres.
- L** The maximum distance of the liquid pipe between EEV-kit and AHU is 2 meters. To be considered in the maximum length of the refrigerant pipes.

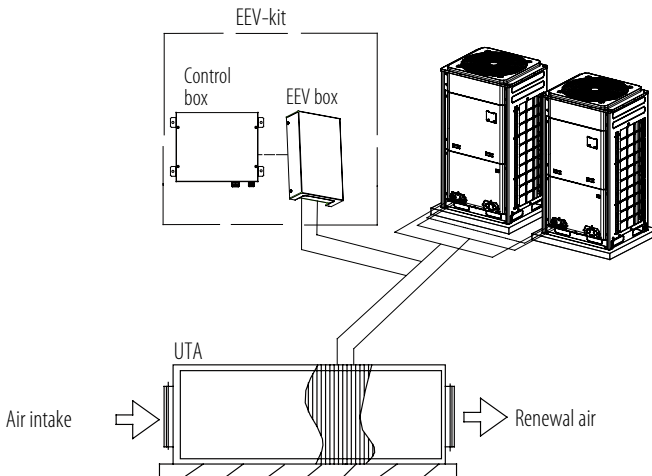
EEV-KIT

Connectivity



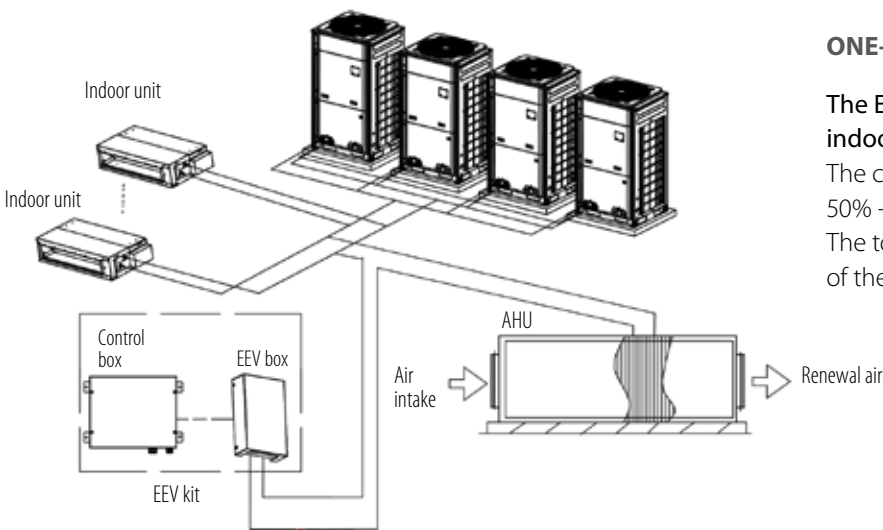
ONE-TO-ONE

An EEV-kit connected with a VRF outdoor unit. The capacity of the EEV-kit must be between 80% - 110% of the capacity of the outdoor unit.



ONE-TO-MORE

An EEV-kit connected with multiple VRF outdoor units. The capacity of the EEV-kit must be between 50% - 110% of the external capacity.



ONE-TO-MORE (MIXED CONNECTION)

The EEV-kit is connected to a VRF system including indoor units. The capacity of the EEV-kit must be between 50% - 110% of the capacity of the outdoor unit. The total capacity of the EEV-kit must not exceed 30% of the capacity of the outdoor unit.